



Red: PAINTED ITEMS
Blue: KITS

1. All labeled components are to be assembled before shipment unless otherwise noted.
2. All bearings are to be pressed in with force applied to outer ring only.
3. All hardware to be torqued to specs listed in chart below.
4. Special notes if any are shown below.

Number	S9PF/QTY.	DESCRIPTION
01-0011	1	1/2 -13 UNC x 3 Bolt
01-1115	3	3/8 -16 UNC x 2 1/2 Bolt
01-1185	2	3/8 -16 UNC x 3 1/2 Bolt
01-1321	1	1/2 -13 UNC x 2 1/2 Bolt
01-1351	1	1/2 -13 UNC x 3 1/4 Bolt
01-1550	1	3/8 -16 UNC x 3 Bolt
01-1553	1	3/8 -16 UNC x 4 1/2 Bolt
01-1564	3	1/2 -13 UNC x 4 1/2 Bolt
01-1566	1	1/2 -13 UNC x 5 1/2 Bolt
01-2180	1	5/8-11 UNC x 1 1/2 Bolt
01-2289	2	5/8 -11 UNC x 10 1/4 Bolt
01-4035	2	1/4 -20 UNC x 1 1/4 Wiz Lock Bolt
01-4038	1	BOLT BH , 1/2 -13 x 2 1/2"
02-1060	2	BOLT BH , 1/4 -20 x 2 1/4"
02-2290	4	SCREW AFH 1/4 -20 UNC x 1 1/4"
02-9210	2	3/8 -16 UNC x 1 Bolt
02-9250	1	3/8 -16 UNC x 2 1/4 Bolt
03-1035	4	3/8" Lock Nut
03-1055	7	1/2" Lock Nut
03-1067	2	5/8" Lock Nut
03-2020	2	1/4" Lock Nut
03-4290	2	1/4" Whiz Nut
03-5102	4	5/16" Hex Nut
03-5103	1	3/8" Hex Nut
04-5206	10	WASHER, FLAT, 3/8" SAE
04-5207	7	WASHER, FLAT, 1/2" SAE
04-5208	2	WASHER, FLAT, 5/8" SAE
04-5225	2	1/4" Internal Loc Washer
05-5105	2	.500 ID Bushing (IGUS Replacement)
06-4076	2	CABLE W/STOP S4PF FIGURE 8
06-5045	1	NYLON BELT ROLLER
06-8180	1	Snap Ring, 1/2" External
06-8275	6	Snap Ring, 17mm Heavy External
07-5032	1	SEAT TRACK
07-5033	1	SEAT TRACK BACK
07-5034	3	SEAT ROLLERS
07-5064	6	6203 RADIAL BEARING
07-8230	1	STANDARD SEAT CLEVIS PIN
07-8359	2	IDLER PULLEY SPACER
07-8363	2	IDLER PULLEY SPACER
07-8686	1	STANDARD SEAT 0 degree
07-8982	2	STRAP CLAMP END (5/16 HOLES)
07-9376	3	SEAT ROLLER SLEEVE
07-9760	2	IDLER PULLEY SPACER
07-9850	4	1" BEARING MOLDED FLANGE
07-9901	2	PEC FLY MA AXLE SLEEVE

Number	S9PF/QTY.	DESCRIPTION
07-9953	3	SC COUNTERWEIGHT
08-2056	2	MOLDED SHAFT SPACER
09-1004	1	.500 ID X 3" CLOSED END
09-3055	2	2 X 4 11 GA FRAME PLUG
09-4060	2	Stop Bumper
09-5046	6	Nitro Plus Footpad
09-8000	1	Belt Keeper
09-8018	2	GUIDE ROD BUSHING
09-8025	2	VINYL CAP 1" ID X 1/2" LONG RED
09-8323	2	2" MOLDED PULLEY
09-8329	1	WIDE PULLEY 3" DIA
09-8330	1	REDIRECTIONAL PULLEY 4"
09-9505	2	GRIP CAP 1.030 ID (FOR 1" BAR)
09-9515	2	GRIP CAP 1.280 ID (FOR 1 1/4 BAR)
09-9590	2	TUBE INSERT .760 ID PN3043-4-1
09-9600	2	TUBE INSERT 1.010 ID PN3045-4-1
10-1022	1	Extension Spring
10-1025	1	SPRING, TORSION
12-1001	1	SEAT INDICATOR BLACK
12-1026	2	KEEP HANDS AWAY
12-1104	1	SEAT ADJUSTMENT DECAL 1-11
12-1146	1	SEAT ADJ DECAL 1
12-1380	1	Made In USA
12-5611	1	Nautilus Transfer Decal - Large BLACK
12-6046	1	Made In USA - Seat Frames
12-6061	1	PLACARD & SHIELD FRONT S9PF
12-6074	1	PLACARD & SHIELD BACK S9IP, S9LATP, S9LR, S9OP, S9PF
12-6116	1	Decal, Parts Diagram EVO PF
12-7050	1	EVO Weight Selector Pin Decal
17-1306	2	GUIDE ROD
18-0018 (111")	1	BELT MECTROL 111" Length
19-1013	4	TAPE DBL SIDED 2 3/4" WIDE
19-1291	1	SERIAL NO. DECAL
32-0001	1	PAD SEAT STANDARD "ONE" CONTOURED
32-0022	1	UPH. PAD BACK LONG
45-1062	4	1.005 ID BUSHING (IGUS REPLACEMENT)
91-999	1	Paint (1.5 lbs)
95-0474	1	Kit 5, EVO Shields
BF607B	1	"PLUS" PEC FLY FRAME
LK631	1	BELT CLAMP
MA620B	1	NITRO "PLUS" LEFT MA
MA621B	1	Right Side PF MA
MA640	2	PEC FLY TRAILING ARMS
OPT-WT-25	1	EVO 240 LB Weight Stack
SE613	1	RELEASE HANDLE
UP8071	2	UPHOLSTERY ROLLER



EVO PEC FLY
S9PF

Bolt Torque Specifications	Grade 5		Grade 8	
	Size	Torque (ft-lbs)	Size	Torque (ft-lbs)
1/4-20	8	12		
1/4-28	10	14		
5/16-18	17	25		
3/8-16	30	45		
7/16-14	50	70		
1/2-13	75	110		
1/2-20	90	120		
5/8-11	150	220		
5/8-18	180	240		

Customer Service & Parts 800/ 235-2233
General Parts Requests: parts@medfitsys.com
Warranty Field Service Requests: servicerequest@medfitsys.com
Med-Fit Systems, Inc. 800/ 831-7665

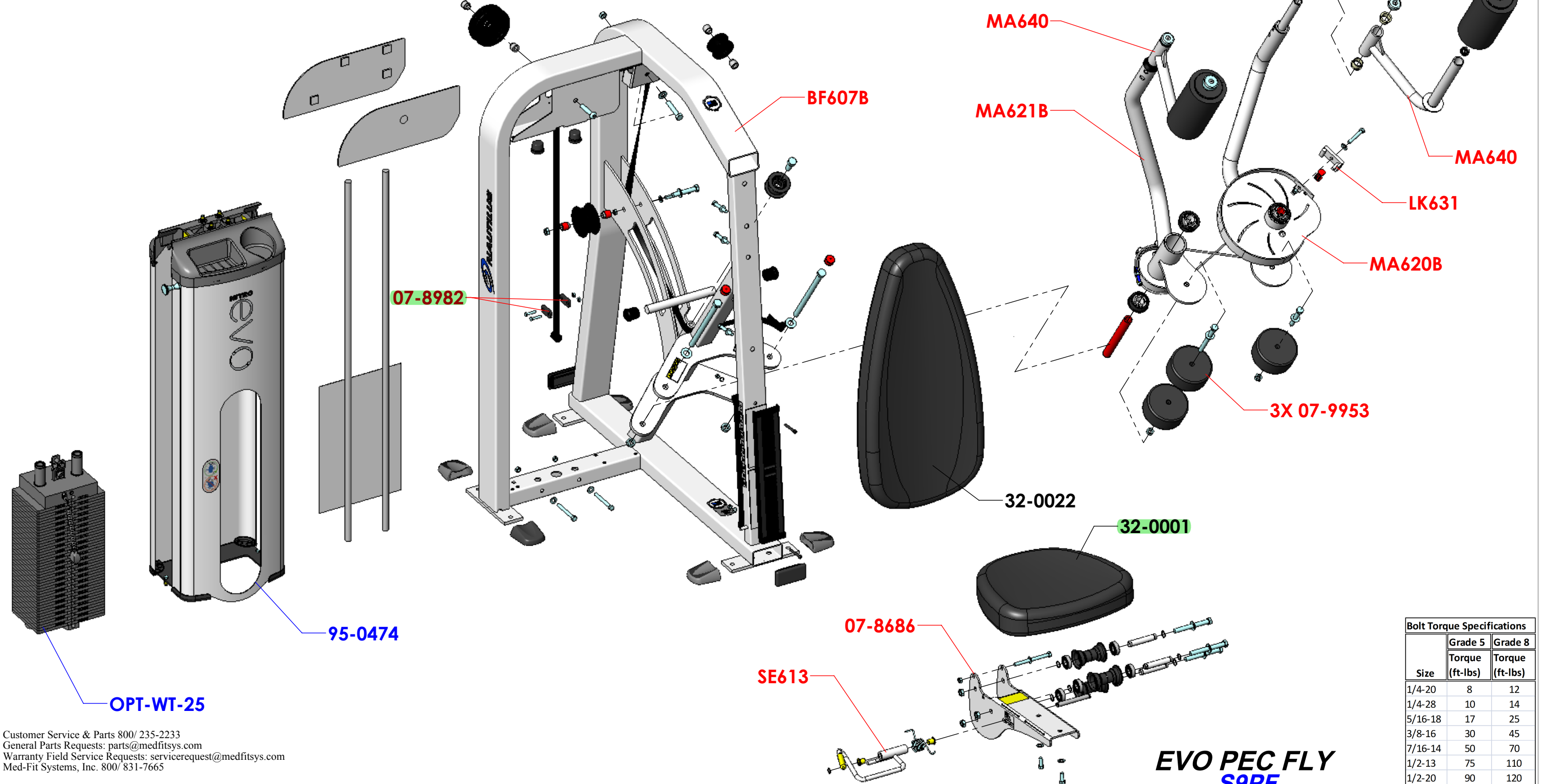
www.medfitsystems.com

REV F



Red: PAINTED ITEMS
Blue: KITS

1. All labeled components are to be assembled before shipment unless otherwise noted.
2. All bearings are to be pressed in with force applied to outer ring only.
3. All hardware to be torqued to specs listed in chart below.
4. Special notes if any are shown below.



Customer Service & Parts 800/235-2233
 General Parts Requests: parts@medfitsys.com
 Warranty Field Service Requests: servicerequest@medfitsys.com
 Med-Fit Systems, Inc. 800/831-7665

www.medfitsystems.com

Bolt Torque Specifications		
Size	Grade 5	Grade 8
	Torque (ft-lbs)	Torque (ft-lbs)
1/4-20	8	12
1/4-28	10	14
5/16-18	17	25
3/8-16	30	45
7/16-14	50	70
1/2-13	75	110
1/2-20	90	120
5/8-11	150	220
5/8-18	180	240

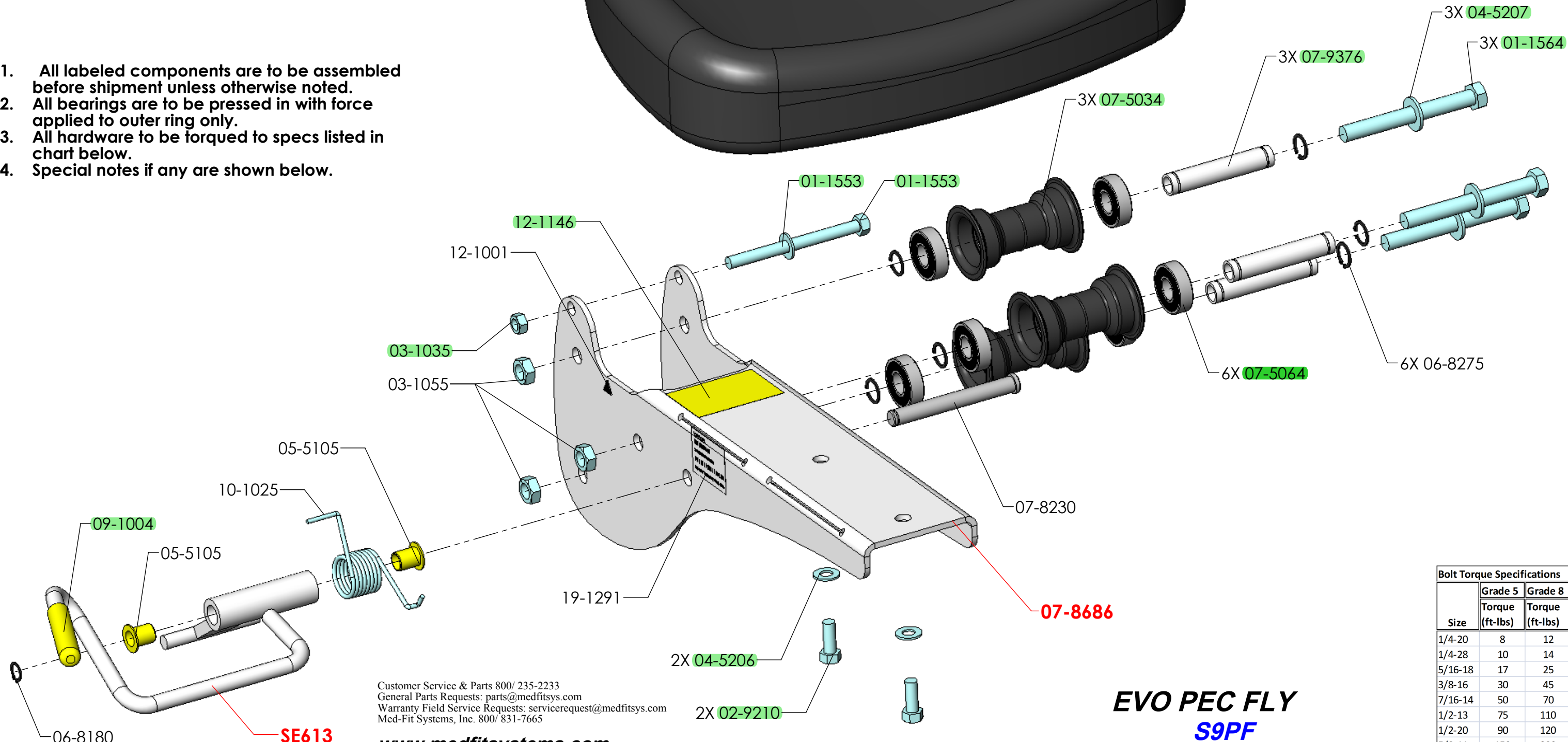
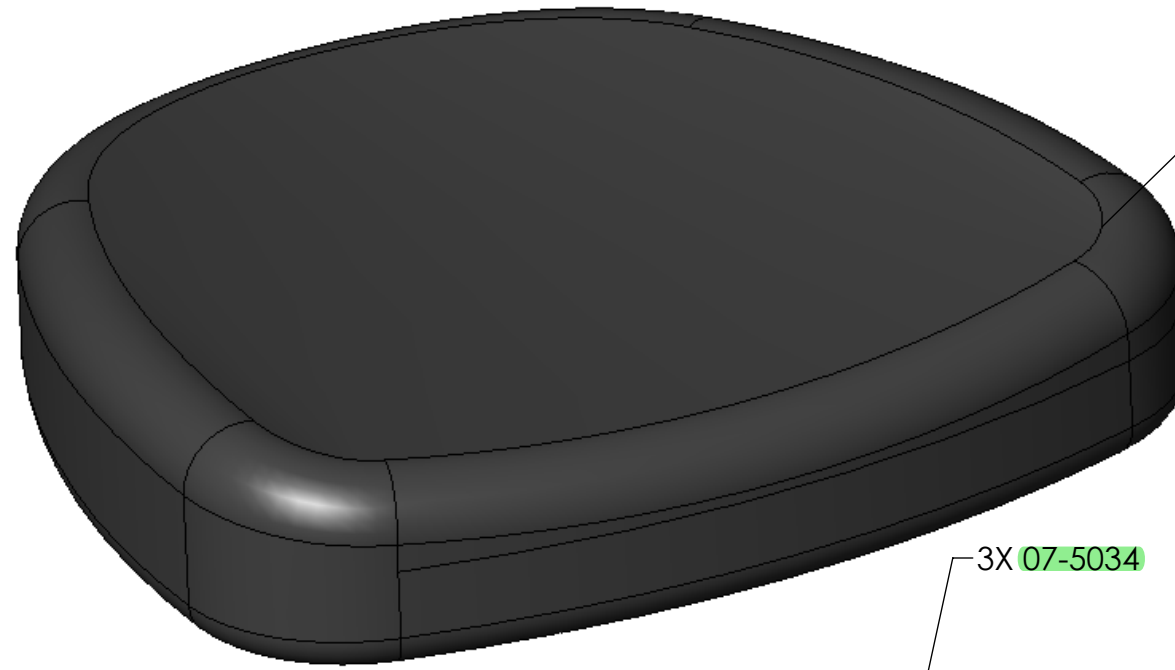
EVO PEC FLY
S9PF

REV F



Red: PAINTED ITEMS
Blue: KITS

1. All labeled components are to be assembled before shipment unless otherwise noted.
2. All bearings are to be pressed in with force applied to outer ring only.
3. All hardware to be torqued to specs listed in chart below.
4. Special notes if any are shown below.



Customer Service & Parts 800/ 235-2233
General Parts Requests: parts@medfitsys.com
Warranty Field Service Requests: servicerequest@medfitsys.com
Med-Fit Systems, Inc. 800/ 831-7665

www.medfitsystems.com

EVO PEC FLY
S9PF

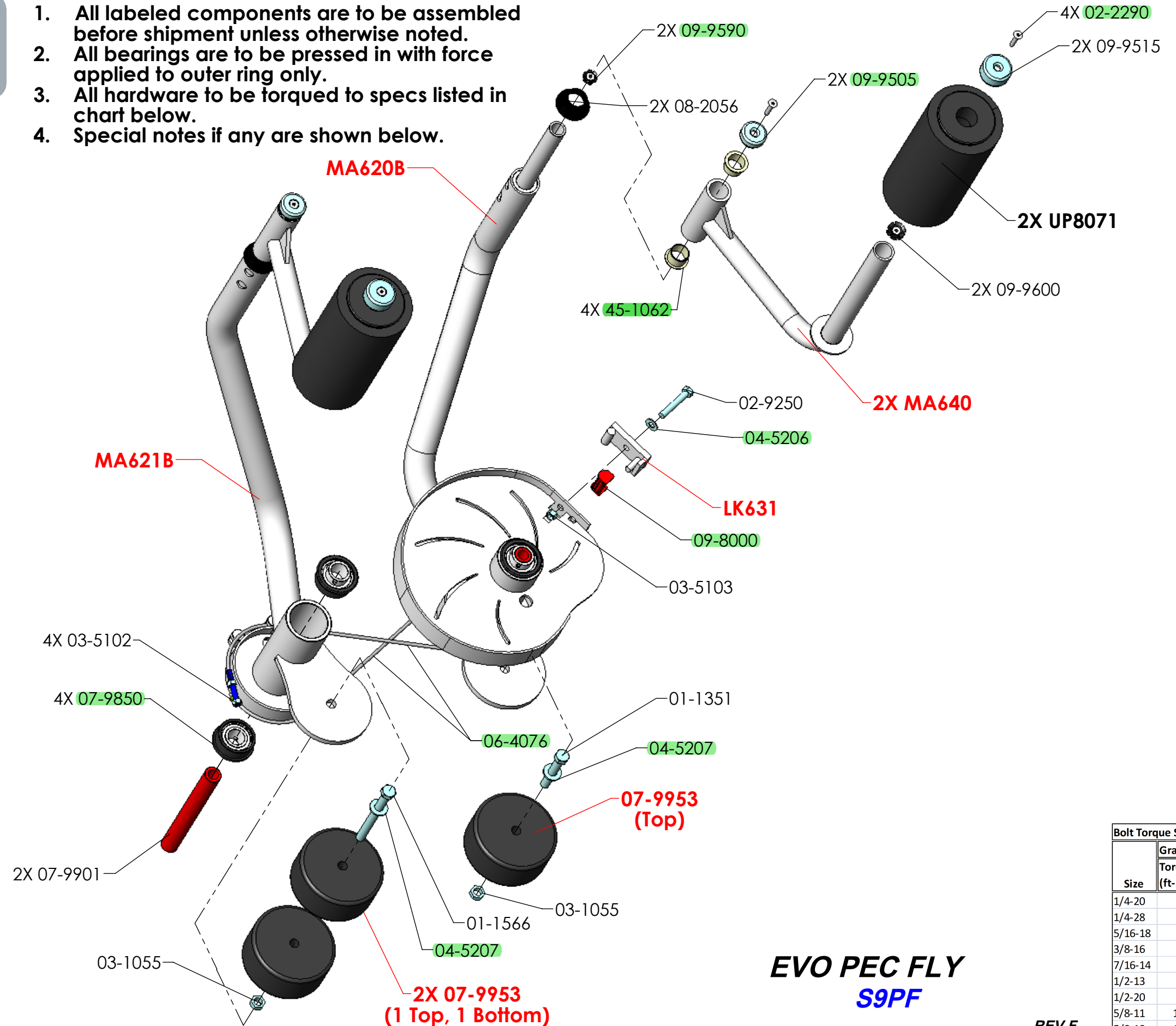
Bolt Torque Specifications		
Size	Grade 5	Grade 8
	Torque (ft-lbs)	Torque (ft-lbs)
1/4-20	8	12
1/4-28	10	14
5/16-18	17	25
3/8-16	30	45
7/16-14	50	70
1/2-13	75	110
1/2-20	90	120
5/8-11	150	220
5/8-18	180	240

REV F



Red: PAINTED ITEMS
Blue: KITS

1. All labeled components are to be assembled before shipment unless otherwise noted.
2. All bearings are to be pressed in with force applied to outer ring only.
3. All hardware to be torqued to specs listed in chart below.
4. Special notes if any are shown below.



Bolt Torque Specifications		
Size	Grade 5	Grade 8
	Torque (ft-lbs)	Torque (ft-lbs)
1/4-20	8	12
1/4-28	10	14
5/16-18	17	25
3/8-16	30	45
7/16-14	50	70
1/2-13	75	110
1/2-20	90	120
5/8-11	150	220
5/8-18	180	240

Customer Service & Parts 800/235-2233
 General Parts Requests: parts@medfitsys.com
 Warranty Field Service Requests: servicerequest@medfitsys.com
 Med-Fit Systems, Inc. 800/831-7665

www.medfitsystems.com

EVO PEC FLY
S9PF

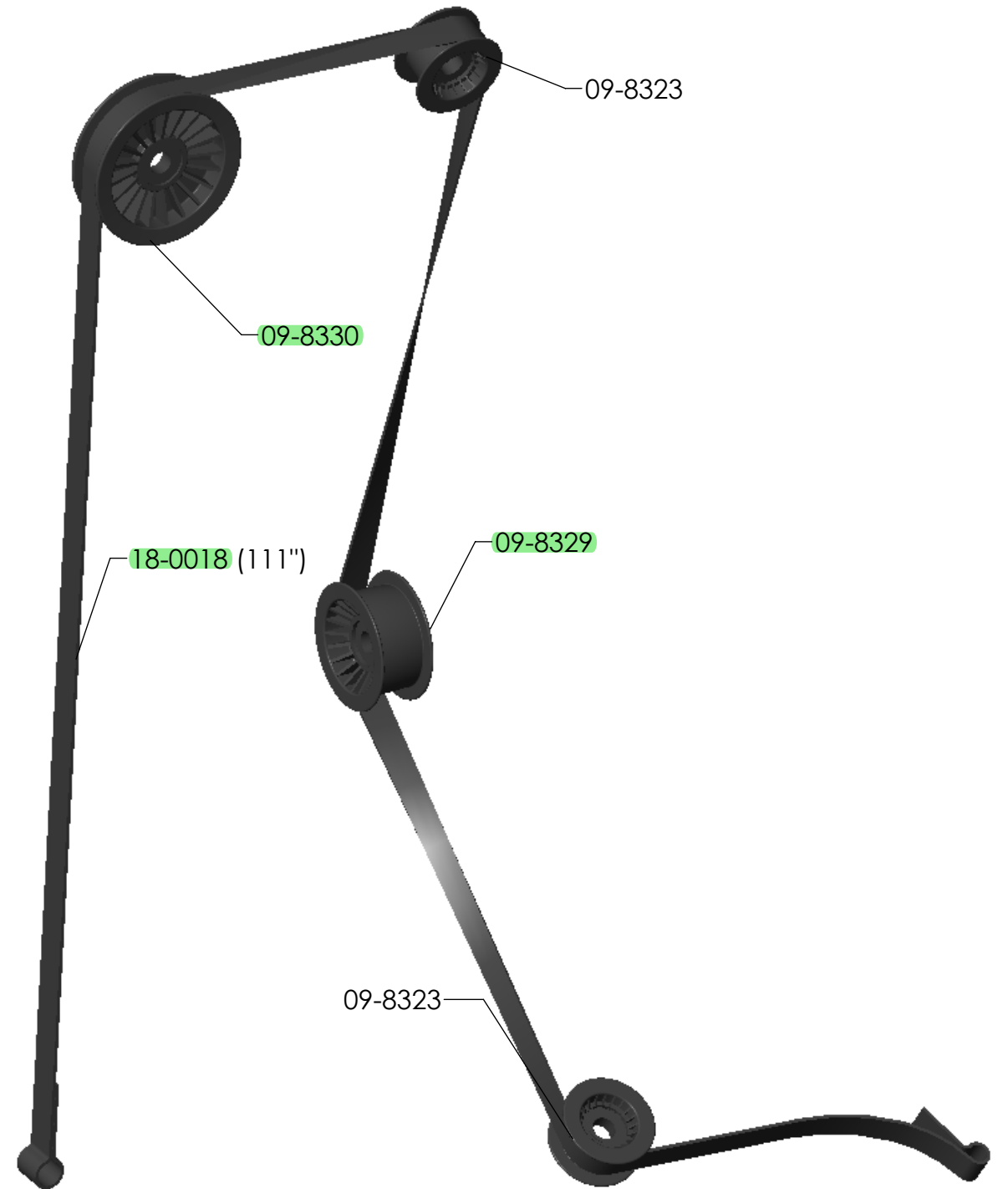
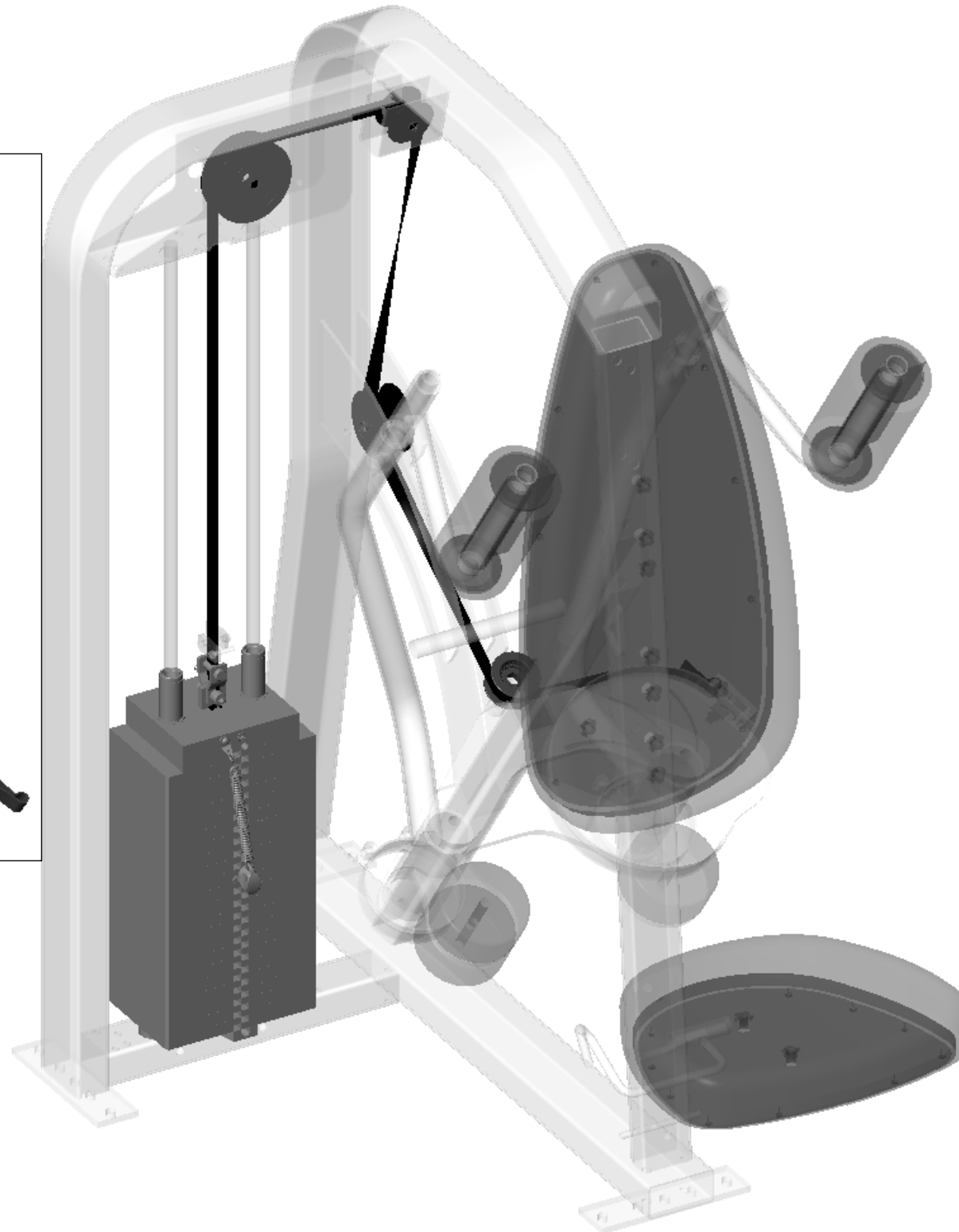
REV F



Red: PAINTED ITEMS
Blue: KITS

1. All labeled components are to be assembled before shipment unless otherwise noted.
2. All bearings are to be pressed in with force applied to outer ring only.
3. All hardware to be torqued to specs listed in chart below.
4. Special notes if any are shown below.

A



Customer Service & Parts 800/ 235-2233
General Parts Requests: parts@medfitsys.com
Warranty Field Service Requests: servicerequest@medfitsys.com
Med-Fit Systems, Inc. 800/ 831-7665

www.medfitsystems.com

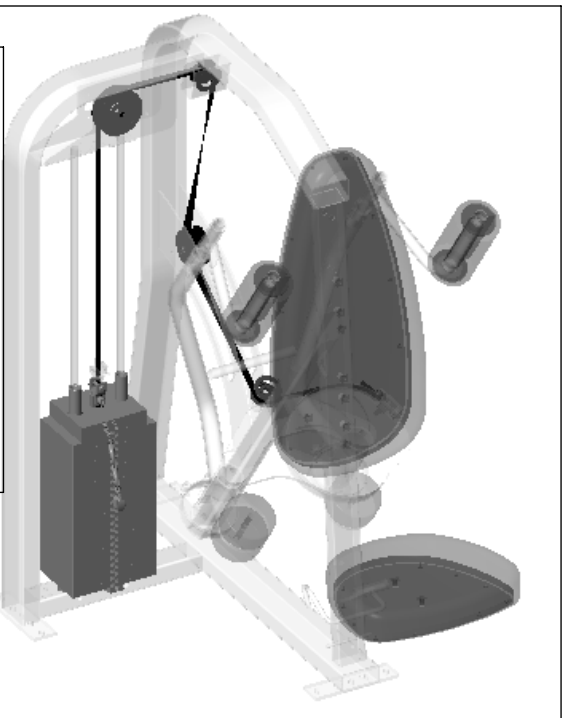
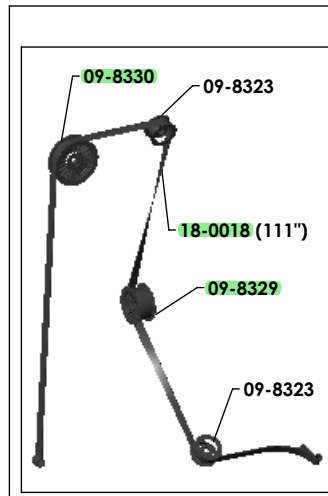
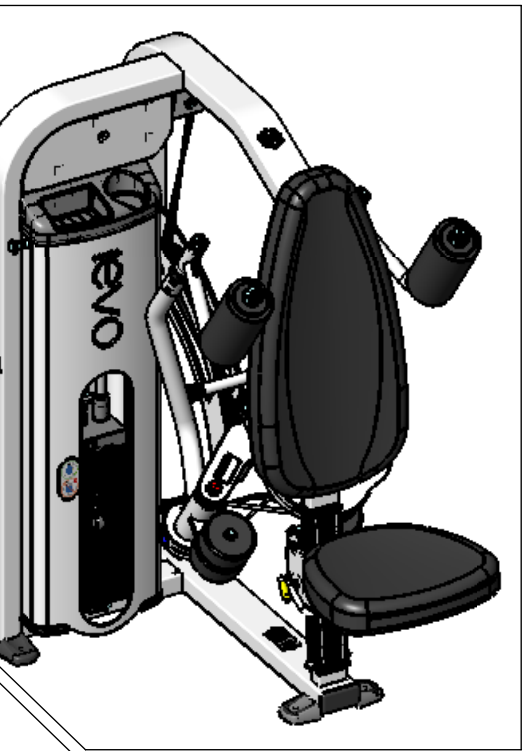
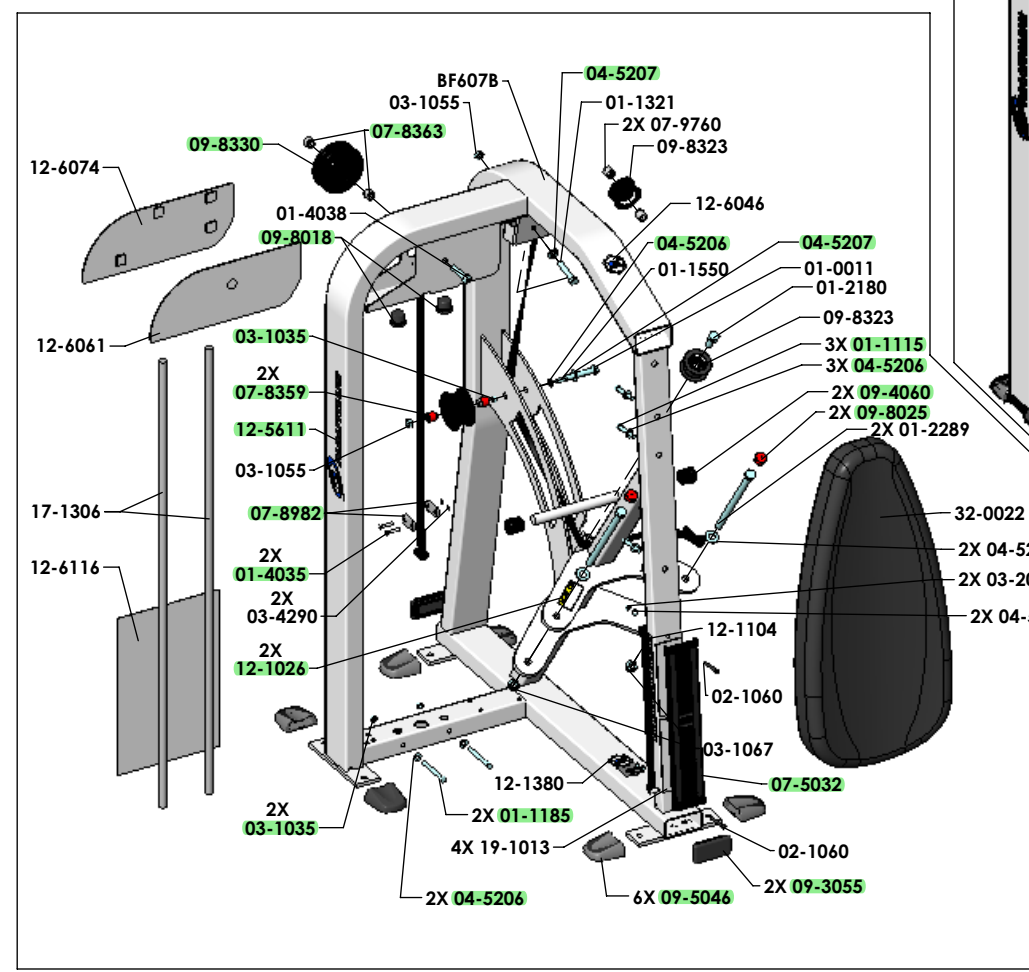
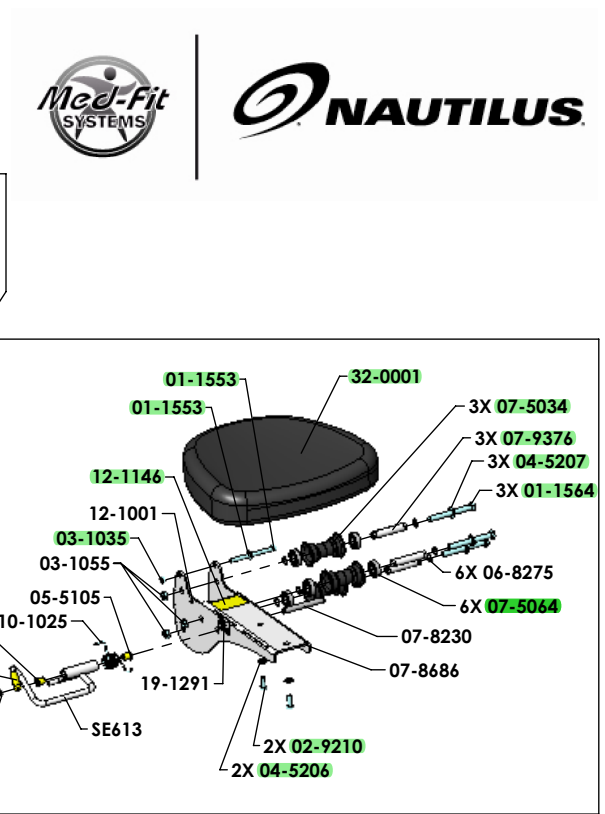
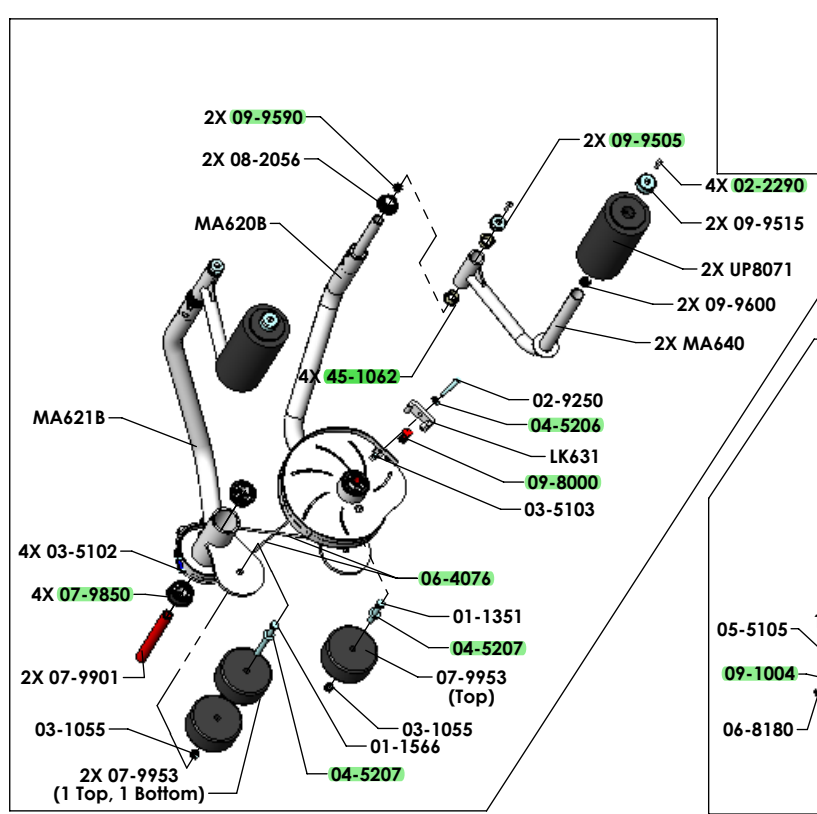
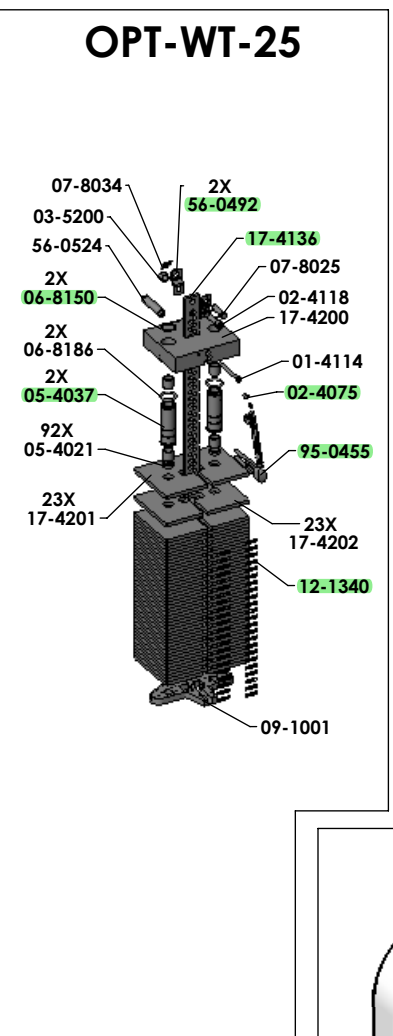
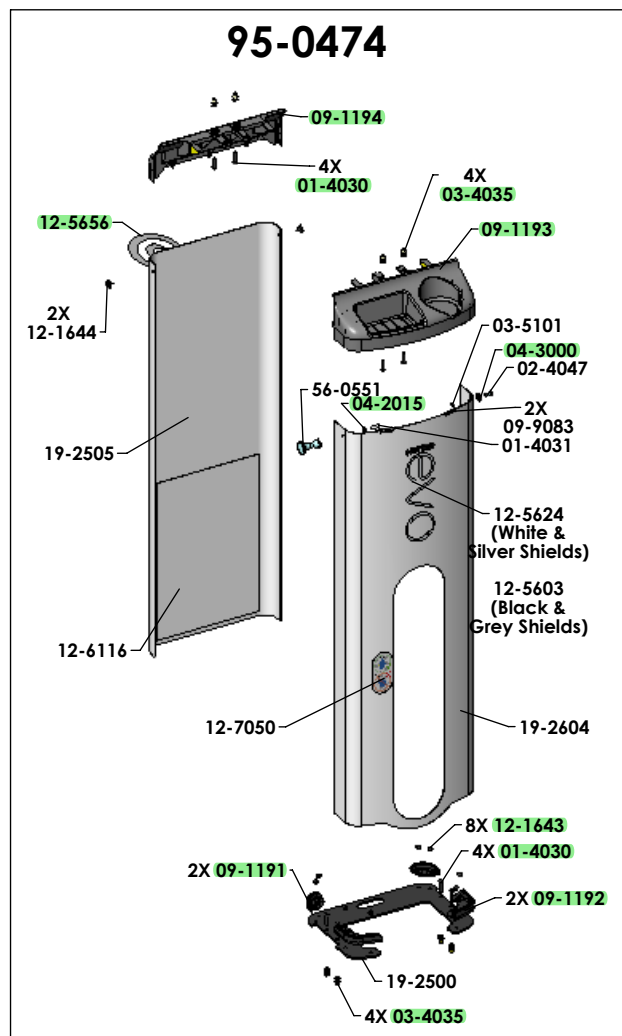
EVO PEC FLY
S9PF

Bolt Torque Specifications		
Size	Grade 5	Grade 8
	Torque (ft-lbs)	Torque (ft-lbs)
1/4-20	8	12
1/4-28	10	14
5/16-18	17	25
3/8-16	30	45
7/16-14	50	70
1/2-13	75	110
1/2-20	90	120
5/8-11	150	220
5/8-18	180	240

REV F



Number	S9PF/QTY	DESCRIPTION
01-0011	1	1/2 -13 UNC x 3 Bolt
01-1115	3	3/8 -16 UNC x 2 1/2 Bolt
01-1185	2	3/8 -16 UNC x 3 1/2 Bolt
01-1321	1	1/2 -13 UNC x 2 1/2 Bolt
01-1351	1	1/2 -13 UNC x 3 1/4 Bolt
01-1550	1	3/8 -16 UNC x 3 Bolt
01-1553	1	3/8 -16 UNC x 4 1/2 Bolt
01-1564	3	1/2 -13 UNC x 4 1/2 Bolt
01-1566	1	1/2 -13 UNC x 5 1/2 Bolt
01-2180	1	5/8-11 UNC x 1 1/2 Bolt
01-2289	2	5/8 -11 UNC x 10 1/4 Bolt
01-4035	2	1/4 -20 UNC x 1 1/4 Wiz Lock Bolt
01-4038	1	BOLT BH, 1/2 -13 x 2 1/2"
02-1060	2	BOLT BH, 1/4 -20 x 2 1/4"
02-2290	4	SCREW AFH 1/4 -20 UNC x 1 1/4"
02-9210	2	3/8 -16 UNC x 1 Bolt
02-9250	1	3/8 -16 UNC x 2 1/4 Bolt
03-1035	4	3/8" Lock Nut
03-1055	7	1/2" Lock Nut
03-1067	2	5/8" Lock Nut
03-2020	2	1/4" Lock Nut
03-4290	2	1/4" Whiz Nut
03-5102	4	5/16" Hex Nut
03-5103	1	3/8" Hex Nut
04-5206	10	WASHER, FLAT, 3/8" SAE
04-5207	7	WASHER, FLAT, 1/2" SAE
04-5208	2	WASHER, FLAT, 5/8" SAE
04-5225	2	1/4" Internal Loc Washer
05-5105	2	.500 ID Bushing (IGUS Replacement)
06-4076	2	CABLE W/STOP S4PF FIGURE 8
06-5045	1	NYLON BELT ROLLER
06-8180	1	Snap Ring, 1/2" External
06-8275	6	Snap Ring, 17mm Heavy External
07-5032	1	SEAT TRACK
07-5033	1	SEAT TRACK BACK
07-5034	3	SEAT ROLLERS
07-5064	6	6203 RADIAL BEARING
07-8230	1	STANDARD SEAT CLEVIS PIN
07-8359	2	IDLER PULLEY SPACER
07-8363	2	IDLER PULLEY SPACER
07-8686	1	STANDARD SEAT 0 degree
07-8982	2	STRAP CLAMP END (5/16 HOLES)
07-9376	3	SEAT ROLLER SLEEVE
07-9760	2	IDLER PULLEY SPACER
07-9850	4	1" BEARING MOLDED FLANGE
07-9901	2	PEC FLY MA AXLE SLEEVE
07-9953	3	SC COUNTERWEIGHT
08-2056	2	MOLDED SHAFT SPACER
09-1004	1	.500 ID X 3" CLOSED END
09-3055	2	2 X 4 11 GA FRAME PLUG
09-4060	2	Stop Bumper
09-5046	6	Nitro Plus Footpad
09-8000	1	Belt Keeper
09-8018	2	GUIDE ROD BUSHING
09-8025	2	VINYL CAP 1" ID X 1/2" LONG RED
09-8323	2	2" MOLDED PULLEY
09-8329	1	WIDE PULLEY 3" DIA
09-8330	1	REDIRECTIONAL PULLEY 4"
09-9505	2	GRIP CAP 1.030 ID (FOR 1" BAR)
09-9515	2	GRIP CAP 1.280 ID (FOR 1 1/4 BAR)
09-9590	2	TUBE INSERT .760 ID PN3043-4-1
09-9600	2	TUBE INSERT 1.010 ID PN3045-4-1
10-1022	1	Extension Spring
10-1025	1	SPRING, TORSION
12-1001	1	SEAT INDICATOR BLACK
12-1026	2	KEEP HANDS AWAY
12-1104	1	SEAT ADJUSTMENT DECAL 1-11
12-1146	1	SEAT ADJ DECAL 1
12-1380	1	Made In USA
12-5611	1	Nautilus Transfer Decal - Large BLACK
12-6046	1	Made In USA - Seat Frames
12-6061	1	PLACARD & SHIELD FRONT S9PF
12-6074	1	PLACARD & SHIELD BACK S9IP, S9LATP, S9LR, S9OP, S9PF
12-6116	1	Decal, Parts Diagram EVO PF
12-7050	1	EVO Weight Selector Pin Decal
17-1306	2	GUIDE ROD
18-0018 (111")	1	BELT MECTROL 111" Length
19-1013	4	TAPE DBL SIDED 2 3/4" WIDE
19-1291	1	SERIAL NO. DECAL
32-0001	1	PAD SEAT STANDARD "ONE" CONTOURED
32-0022	1	UPH. PAD BACK LONG
45-1062	4	1.005 ID BUSHING (IGUS REPLACEMENT)
91-999	1	Paint (1.5 lbs)
95-0474	1	Kit 5, EVO Shields
BF607B	1	"PLUS" PEC FLY FRAME
LK631	1	BELT CLAMP
MA620B	1	NITRO "PLUS" LEFT MA
MA621B	1	Right Side PF MA
MA640	2	PEC FLY TRAILING ARMS
OPT-WT-25	1	EVO 240 LB Weight Stack
SE613	1	RELEASE HANDLE
UP8071	2	UPHOLSTERY ROLLER



EVO PEC FLY S9PF

Customer Service & Parts 800/ 235-2233
 General Parts Requests: parts@medfitsys.com
 Warranty Field Service Requests: servicerequest@medfitsys.com
 Med-Fit Systems, Inc. 800/ 831-7665

www.medfitsystems.com

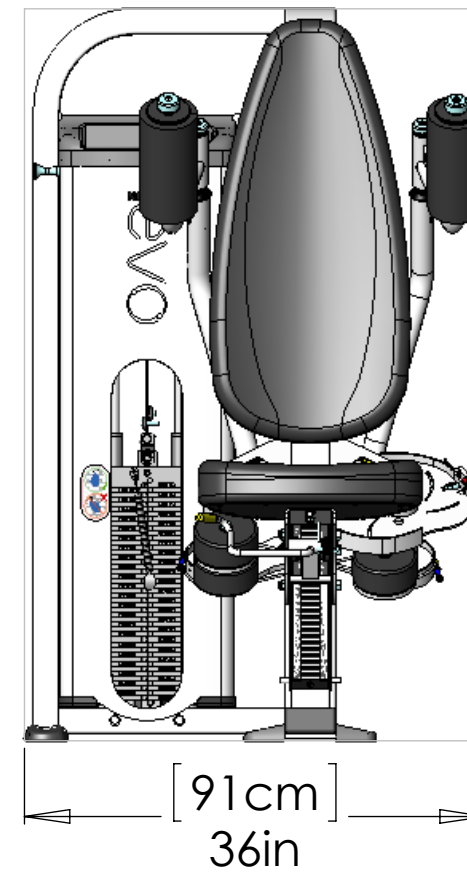
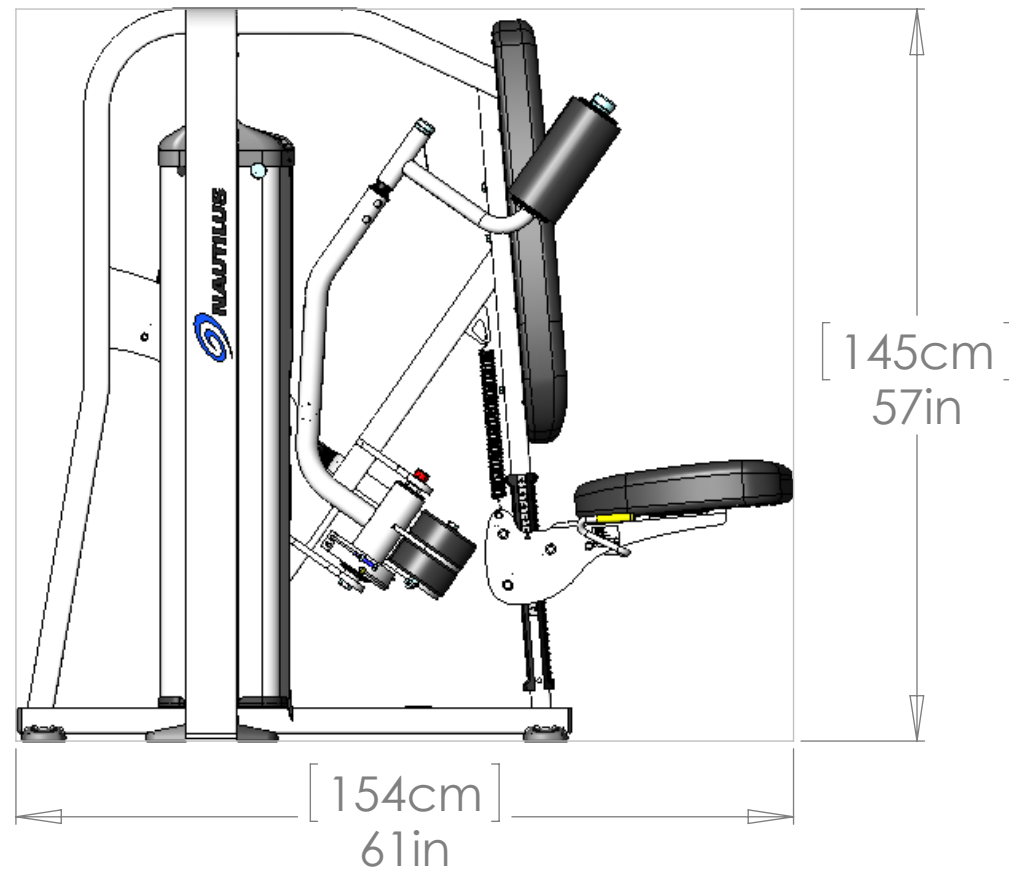
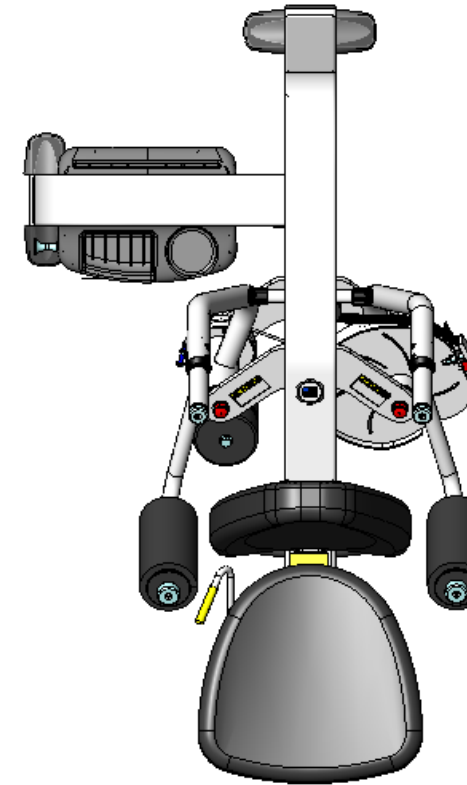
Size	Grade 5	Grade 8
	Torque (ft-lbs)	Torque (ft-lbs)
1/4-20	8	12
1/4-28	10	14
5/16-18	17	25
3/8-16	30	45
7/16-14	50	70
1/2-13	75	110
1/2-20	90	120
5/8-11	150	220
5/8-18	180	240



Customer Service & Parts 800/ 235-2233
General Parts Requests: parts@medfitsys.com
Warranty Field Service Requests: servicerequest@medfitsys.com
Med-Fit Systems, Inc. 800/ 831-7665

www.medfitsystems.com

9/20/12	S9PF
Units	Weight
lbs	566
kg	257



EVO PEC FLY
S9PF
REV F